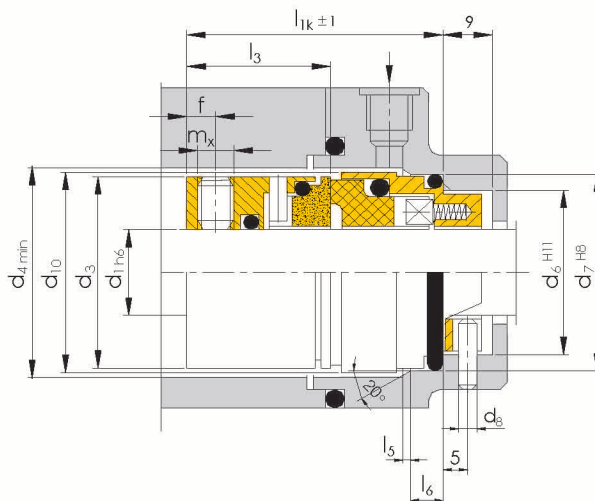


BGMHRN



- ◎ 单端面
- ◎ 平衡型
- ◎ 任意旋向
- ◎ 符合EN 12756(DIN24960)标准

BGMHRN系列是一种新型的静止式结构密封,采用多弹簧结构,适用于污水、腐蚀性、含颗粒介质,广泛应用于污水处理系统以及化工厂。



Single seal

Balanced

Independent of direction of rotation To EN12756 (DIN24960)

BGMHRN series is designed with a new stationary seal structure. It adopts multi-spring structure and is suitable for waste water, corrosive medium and other medium containing solids. This seal is widely used in waste water treatment and chemical factories.

运行参数

规格: 18~100 mm
 压力: ≤2.5 Mpa
 温度: -20~220°C
 线速度: ≤20 m/s
 轴向窜动量: ±0.5 mm

Operating limits

Specification: 18~100 mm
 Pressure: ≤2.5 Mpa
 Temperature: -20~220°C
 Linear speed: ≤20 m/s
 Axial movement: ±0.5 mm

材料组合

密封端面:
 石墨、碳化硅、碳化钨
 辅助密封:
 丁腈胶、氟橡胶、乙丙胶
 金属构件:
 不锈钢

Combination of materials

Sealing face
 Graphite, Silicon carbide, Tungsten carbide
 Secondary sealing
 Acrylonitrile rubber, Fluorine rubber, Ethylene propylene rubber
 Metal component
 Stainless steel

单位 (Unit): mm

d1	d3	d4	d6	d7	d8	d10	l1k	l3	l5	l6	f	mx	d1	d3	d4	d6	d7	d8	d10	l1k	l3	l5	l6	f	mx
18	33	38	27	33	3	34.7	37.5	19.5	2.0	5	3.0	4	50	70	75	62	70	4	71.7	47.5	25.0	2.5	6	4.0	6
20	35	40	29	35	3	36.7	37.5	19.5	2.0	5	3.0	4	53	73	83	65	73	4	74.7	47.5	25.0	2.5	6	4.0	6
22	37	42	31	37	3	38.7	37.5	19.5	2.0	5	3.0	4	55	75	85	67	75	4	76.7	47.5	25.0	2.5	6	4.0	6
24	39	44	33	39	3	40.7	40.0	20.5	2.0	5	3.5	5	58	78	88	70	78	4	80.5	52.5	28.0	2.5	6	4.0	6
25	40	46	34	40	3	41.7	40.0	20.5	2.0	5	3.5	5	60	80	90	72	80	4	82.5	52.5	28.0	2.5	6	4.0	6
28	43	49	37	43	3	44.7	42.5	21.5	2.0	5	3.5	5	63	83	93	75	83	4	85.5	52.5	28.0	2.5	6	4.0	6
30	45	51	39	45	3	46.7	42.5	21.5	2.0	5	3.5	5	65	85	95	77	85	4	87.5	52.5	28.0	2.5	6	4.0	6
32	48	58	42	48	3	49.7	42.5	21.5	2.0	5	3.5	5	68	90	98	81	90	4	92.5	52.5	28.0	2.5	7	4.0	6
33	48	58	42	48	3	49.7	42.5	21.5	2.0	5	3.5	5	70	92	104	83	92	4	94.5	60.0	34.0	2.5	7	6.0	8
35	50	60	44	50	3	51.7	42.5	21.5	2.0	5	3.5	5	75	97	109	88	97	4	100.5	60.0	34.0	2.5	7	6.0	8
38	56	63	49	56	4	57.7	45.0	24.0	2.0	6	4.0	6	80	105	114	95	105	4	108.5	60.0	34.0	3.0	7	6.0	8
40	58	65	51	58	4	59.7	45.0	24.0	2.0	6	4.0	6	85	110	119	100	110	4	113.5	60.0	34.0	3.0	7	6.0	8
43	61	68	54	61	4	62.7	45.0	24.0	2.0	6	4.0	6	90	115	124	105	115	4	118.5	65.0	39.0	3.0	7	10.0	8
45	63	70	56	63	4	64.7	45.0	24.0	2.0	6	4.0	6	95	120	129	110	120	4	123.5	65.0	39.0	3.0	7	10.0	8
48	66	73	59	66	4	67.7	45.0	24.0	2.0	6	4.0	6	100	125	134	115	125	4	128.5	65.0	39.0	3.0	7	10.0	8

* 配有其它非补偿环尺寸,请参照“可选非补偿环结构型式”(P52-P53页)

Please refer to the optional non-compensated ring structural specification for the details of other non compensated dimensions(P52-P53)