

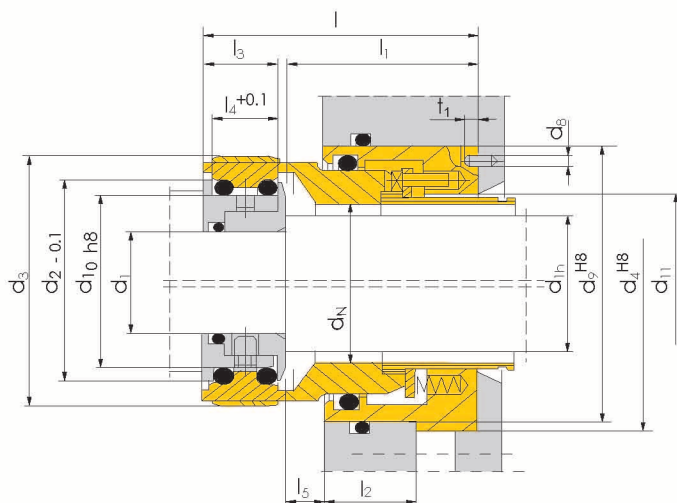
BGMHR

- ◎ 单端面集装式
- ◎ 平衡型
- ◎ 任意旋向
- ◎ 符合API610、API682标准

BGMHR系列是特殊用途密封,它适用在含有颗粒,但没有外部冲洗和循环的工况中,主要应用在发电厂、燃料气体脱硫系统的净化装置中,也应用于造纸行业、渣浆泵系列。

Single seal cartridge type
Balanced
Independent of direction of rotation
To API610、API682

BGMHR series seal is designed for special purpose. It is suitable for the working condition that contains solids without external flushing and circulation. It is mainly used in the decontamination plant of gas sweetening system of power plant, as well as paper making industry and sludge pumps.



运行参数

规格: 20~180 mm
 压力: ≤ 1.6 Mpa
 温度: $-20 \sim 160^\circ\text{C}$
 线速度: ≤ 10 m/s
 轴向窜动量: ± 0.5 mm

Operating limits

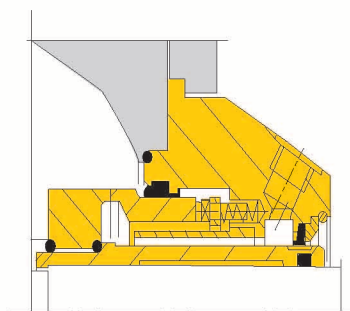
Specification: 20~180 mm
 Pressure: ≤ 1.6 Mpa
 Temperature: $-20 \sim 160^\circ\text{C}$
 Linear speed: ≤ 10 m/s
 Axial movement: ± 0.5 mm

材料组合

密封端面:
 碳化硅、碳化钨
辅助密封:
 丁腈胶、氟橡胶、乙丙胶、PTFE
金属构件:
 不锈钢、合金钢

Combination of materials

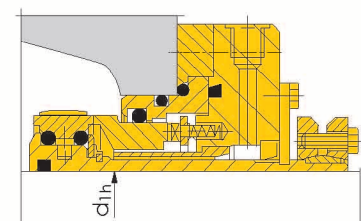
Sealing face
 Silicon carbide, Tungsten carbide
Secondary sealing
 Acrylonitrile rubber, Fluorine rubber, Ethylene propylene rubber, PTFE
Metal component
 Stainless steel, Alloy steel



BGMSHR

特殊设计的应用于医药、食品等无菌流程。

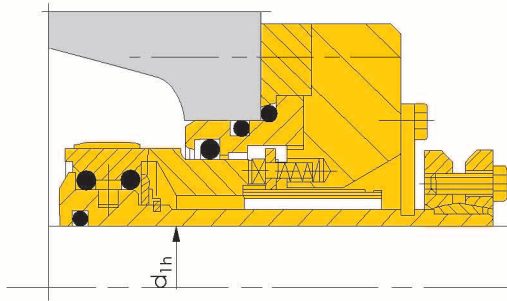
BGMSHR is specially designed for the asepsis process of medicine and food product.



BGMHR2

具有外冲洗的集装式设计,可保护苛刻工况下的安全运行。

BGMHR2 has the cartridge type design with outside wash, which can keep the safe running under the difficult working condition.



BGMHR3

专为无冲洗工况下设计的泥浆泵机封。

BGMHR3 is the mechanical seal special for the slurry pump under the working condition without washing.

单位 (Unit): mm

d₁	d_{1h}	d_N	d₂	d₃	d₄	d₈	d₉	d₁₀	d₁₁^{+0.2}/_{min}	l	l₁	l₂	l₃	l₄	l₅	t₁
20	28	36	47.1	64	75	4	70	38	40	75	53	20	19.5	17	10.5	3
25	33	41	52.1	69	80	4	75	43	45	75	53	20	19.5	17	10.5	3
28	38	46	57.1	74	85	4	80	48	50	75	53	20	19.5	17	10.5	3
33	43	51	62.1	79	90	4	85	53	55	75	53	20	19.5	17	10.5	3
38	48	56	67.1	84	95	4	90	58	60	75	53	20	19.5	17	10.5	3
43	53	61	72.1	89	100	4	95	63	65	75	53	20	19.5	17	10.5	3
48	58	66	77.1	94	105	4	100	68	70	75	53	20	19.5	17	10.5	3
53	63	71	82.1	100	110	4	105	73	75	75	53	20	19.5	17	10.5	3
55	65	75	87.1	105	115	4	110	78	79	75	53	20	19.5	17	10.5	3
60	70	80	92.1	110	120	4	115	83	84	75	53	20	19.5	17	10.5	3
65	75	85	97.1	115	125	4	120	88	89	75	53	20	19.5	17	10.5	3
70	80	90	102.1	120	130	4	125	93	94	75	53	20	19.5	17	10.5	3
75	85	95	107.1	125	135	5	130	98	99	75	53	20	19.5	17	10.5	3
80	90	100	112.1	130	140	5	135	103	104	75	53	20	19.5	17	10.5	3
90	100	110	126.1	146	163	5	155	117	116	98	73	30	22.0	19	16	4
100	110	120	136.1	156	173	5	165	127	126	98	73	30	22.0	19	16	4
110	120	130	145.1	166	183	5	175	136	136	98	73	30	22.0	19	16	4
120	130	140	154.1	176	193	5	185	145	146	98	73	30	22.0	19	16	4
130	140	150	163.9	187	203	5	195	155	156	98	73	30	22.0	19	16	4
140	150	160	174.9	188	213	5	205	166	166	98	73	30	22.0	19	16	4
160	170	180	193.9	219	238	5	230	185	186	98	73	30	22.0	19	16	4
180	190	200	213.9	239	265	5	255	205	206	98	73	30	22.0	19	16	4

* 特殊工况条件和超大规格密封尺寸, 请另行索取资料。

The materials of special working condition and oversize seal dimension can be acquired at other time.