

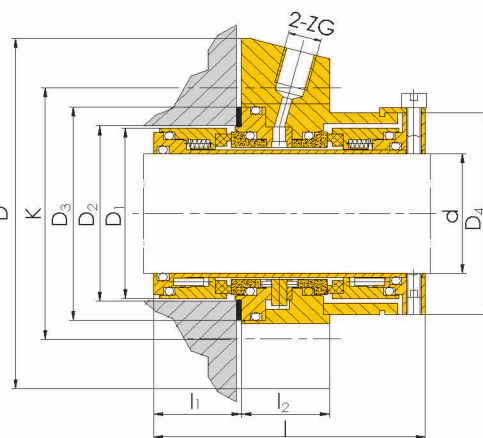
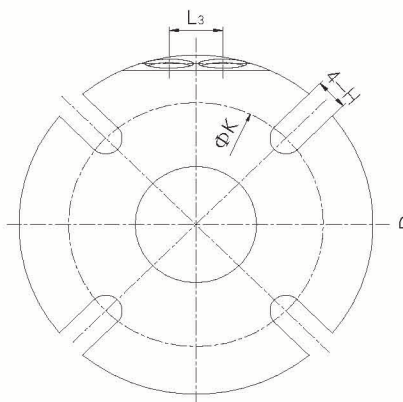
BGM528

- ◎ 双端面集装式
- ◎ 平衡型
- ◎ 任意旋向
- ◎ 符合API610, API682标准

BGM528系列集装式机械密封结构特点类似于BGM518系列,带冲洗口设计,双端面,背对背型式可适应系统压力瞬间升降的工况.广泛适用于易结晶、易汽化、危险品等介质场合。BGM528B双端面自带轴承型能有效控制设备的跳动和振动。

Double seal cartridge type
Balanced
Independent of direction of rotation
To API610, API682

The structural characteristics of BGM528 series cartridge type mechanical seal are similar to BGM518 series. BGM528 series is designed with flushing opening, double sealing face. It is suitable for working circumstances where the system pressure quickly increases or decreases due to the back-to-back structure. BGM528 series seal is suitable for hazardous medium and medium which can easily solidify or vaporize. The BGM528B double sealing face with bearing can effectively control the vibration and shaking of the equipment.



运行参数

规格: 25~120 mm
 压力: ≤4.0 Mpa
 温度: -40~220°C
 线速度: ≤25 m/s
 轴向窜动量: ±0.5 mm

材料组合

密封端面:
 石墨、碳化硅、碳化钨
辅助密封:
 丁腈胶、氟橡胶、乙丙胶、硅橡胶、PTFE
金属构件:
 不锈钢

Operating limits

Specification: 25~120 mm
 Pressure: ≤4.0 Mpa
 Temperature: -40~220°C
 Linear speed: ≤25 m/s
 Axial movement: ±0.5 mm

Combination of materials

Sealing face
 Graphite, Silicon carbide, Tungsten carbide
Secondary sealing
 Acrylonitrile rubber, Fluorine rubber, Ethylene propylene rubber, Silicon rubber, PTFE
Metal component
 Stainless steel

单位 (Unit): mm

d	D	l	D ₁	D ₂	D ₃	D ₄	l ₁	l ₂	l ₃	K	ZG	H
25	108	110	43.0	45.0	57.0	54.0	37.0	35.0	25.0	72.5	1/8"	13.5
28	110	110	47.0	49.0	61.0	58.0	37.0	35.0	25.0	76.5	1/8"	13.5
30	120	110	49.0	51.0	65.0	60.0	37.0	35.0	25.0	80.5	1/8"	13.5
32	122	110	51.0	53.0	67.0	62.0	37.0	35.0	25.0	82.5	1/8"	13.5
35	125	110	54.5	56.5	70.5	65.5	37.0	35.0	25.0	86.0	1/8"	13.5
38	125	110	57.5	59.5	73.5	68.5	37.0	35.0	25.0	89.0	1/8"	13.5
40	130	110	59.5	61.5	75.5	70.5	37.0	35.0	25.0	91.0	1/8"	13.5
42	135	110	62.0	64.0	80.0	73.0	37.0	35.0	25.0	96.5	1/8"	13.5
45	138	110	65.0	67.0	83.0	76.0	37.0	35.0	32.0	99.5	1/4"	13.5
48	146	110	68.0	70.0	86.0	79.0	37.0	35.0	32.0	101.5	1/4"	13.5
50	146	110	71.0	73.0	89.0	84.0	37.0	35.0	32.0	105	1/4"	13.5
55	170	110	76.0	78.0	94.0	89.0	37.0	35.0	32.0	115	1/4"	17.0
60	170	110	81.0	83.0	99.0	94.0	37.0	35.0	32.0	120	1/4"	17.0
65	175	110	86.0	88.0	105	99.0	37.0	35.0	32.0	126	1/4"	17.0
70	185	130	96.0	98.0	114	112	43.0	45.5	40.0	133	3/8"	17.0
75	190	130	101	103	123	117	43.0	45.5	40.0	142	3/8"	17.0
80	200	130	106	108	128	122	43.0	45.5	40.0	147	3/8"	17.0
85	220	130	111	113	138	127	43.0	45.5	40.0	162	3/8"	22.0
90	225	130	116	118	143	132	43.0	45.5	40.0	167	3/8"	22.0
95	230	130	121	123	148	137	43.0	45.5	40.0	172	3/8"	22.0
100	235	130	126	128	153	142	43.0	45.5	40.0	177	3/8"	22.0
110	250	130	136	138	163	152	43.0	45.5	40.0	187	3/8"	22.0
120	260	130	146	148	173	162	43.0	45.5	40.0	197	3/8"	22.0

* 特殊工况和超大规格密封尺寸,请另行索取资料
 The materials of special working condition and oversize seal dimension can be acquired at other time.