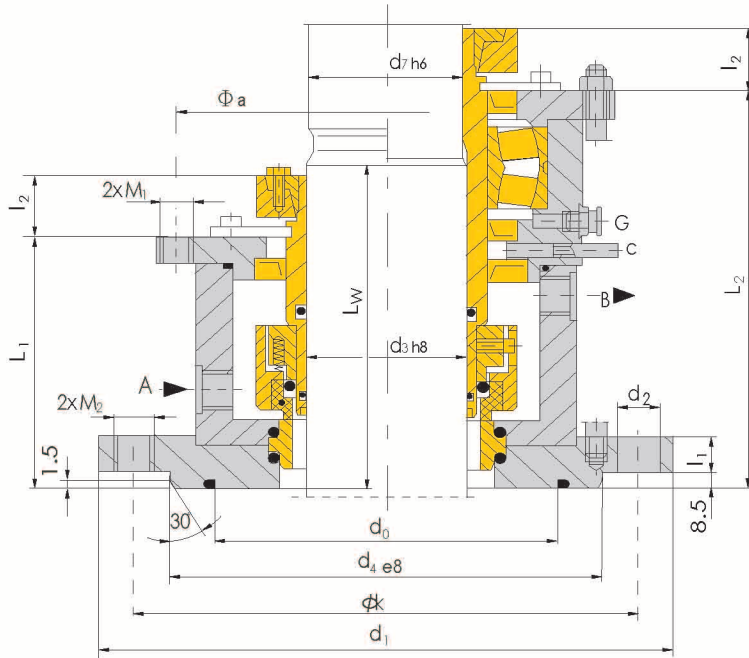


BGM481



- ◎ 非平衡型
- ◎ 任意旋向
- ◎ 集装式设计
- ◎ 符合DIN28141 (HG21571-95) 标准

BGM481系列釜用密封是经过预装,测试的集装式结构,能够准确安装于密封位置.适用于碳钢和不锈钢反应釜上.法兰装配尺寸按DIN28141标准,轴套尺寸按DIN28154标准。

**Unbalanced
Independent of direction of rotation
cartridge type design
To DIN28141(HG21571-95)**

BGM481 series seal for kettle is pre-assembled and tested cartridge type structural seal. It can be accurately installed at the sealing position. It is suitable for the reaction kettle made of carbon steel and stainless steel. The installation dimensions of the flange are subject to DIN28141. The dimensions of the axial bush are subject to DIN28154.

运行参数

规格: 40~220 mm
 压力: 单端面 ≤ 0.6 Mpa
 双端面 ≤ 1.6 Mpa
 温度: -30~200°C
 线速度: ≤ 2 m/s

Operating limits

Specification: 40~220 mm
 Pressure: Single seal ≤ 0.6 Mpa
 Double seal ≤ 1.6 Mpa
 Temperature: -30~200°C
 Linear speed: ≤ 2 m/s

材料组合

密封端面:
 石墨、碳化硅、碳化钨、氧化铝
辅助密封:
 丁腈胶、氟橡胶、乙丙胶、硅橡胶
金属构件:
 不锈钢

Combination of materials

Sealing face
 Graphite, Silicon carbide, Tungsten carbide, Aluminum oxide
Secondary sealing
 Acrylonitrile rubber, Fluorine rubber, Ethylene propylene rubber, Silicon rubber
Metal component
 Stainless steel

单位 (Unit): mm

d ₃ ¹⁾	d ₇ ¹⁾	d ₁	n×d ₂	d ₄	d ₀	φ _k	L ₁	L ₂	L _w ²⁾	l ₁	l ₂	a	M ₁	M ₂	AB
40	38	175	4×18	110	90	145	110.5	159.5	143	15	28	122	M12	M16	G ³ / ₈
50	48	240	8×18	176	135	210	114.5	174.5	148	17	28	157	M12	M16	G ³ / ₈
60	58	240	8×18	176	135	210	119.0	181.5	158	17	28	168	M12	M16	G ³ / ₈
80	78	275	8×22	204	155	240	133.0	217.5	168	20	34	203	M16	M20	G ¹ / ₂
100	98	305	8×22	234	190	270	137.5	218.5	178	20	34	228	M16	M20	G ¹ / ₂
125	120	330	8×22	260	215	295	138.5	233.5	203	20	40	268	M20	M20	G ¹ / ₂
140	135	395	12×22	313	250	350	152.5	250.5	208	20	40	285	M20	M20	G ¹ / ₂
160	150	395	12×22	313	265	350	161.0	253.0	213	25	40	297	M20	M20	G ¹ / ₂
180	170	445	12×22	364	310	400	166.0	263.5	233	25	45	332	M24	M20	G ¹ / ₂
200	190	445	12×22	364	310	400	171.0	271.0	243	25	45	352	M24	M20	G ¹ / ₂
220	210	505	16×22	422	340	460	-	-	263	25	-	-	M24	M20	G ¹ / ₂

注:1) d₃,d₇尺寸符合DIN28154标准 2) 密封安装轴长度L_w符合DIN28154标准 3) 特殊规格尺寸,可依客户另行设计

Note: 1) D₃ and d₇ comply with DIN28154

2) The axis length of seal installation L_w comply with DIN28154

3) Special dimension which can be designed according to the requirement of client