

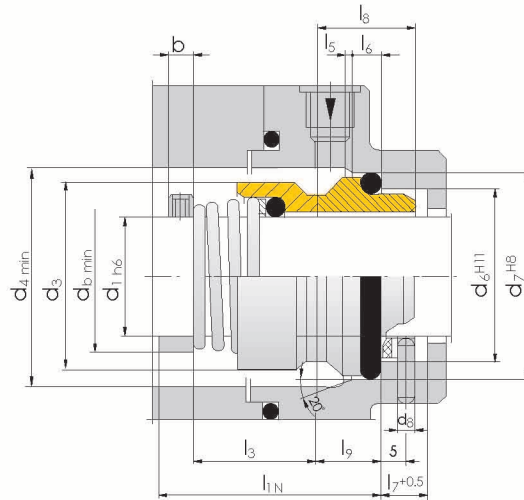
BGM3

- ◎ 单端面
- ◎ 非平衡型
- ◎ 锥形弹簧
- ◎ 固定旋向
- ◎ 符合EN12756(DIN24960)标准

BGM3系列的机械密封，结构简单，应用广泛，可靠性好。适用于清水泵、污水泵、潜水泵以及化工流程泵等。

Single seal
Unbalanced
Conical spring
Dependent on direction of rotation
To EN12756 (DIN24960)

BGM3 mechanical seal series is structural simple and reliable. It has a wide application scope. It is suitable for clean water pumps, sewage pumps, submerged pumps, process pumps, etc.



运行参数

规格: 6~80 mm
 压力: ≤ 1.0 Mpa
 温度: $-20 \sim 180^\circ\text{C}$
 线速度: ≤ 15 m/s
 轴向窜动量: ± 1.0 mm

材料组合

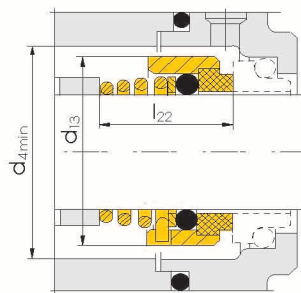
密封端面:
 石墨、碳化硅、碳化钨、氧化铝、不锈钢
辅助密封:
 丁腈胶、氟橡胶、乙丙胶、PTFE
金属构件:
 不锈钢

Operating limits

Specification: 6~80 mm
 Pressure: ≤ 1.0 Mpa
 Temperature: $-20 \sim 180^\circ\text{C}$
 Linear speed: ≤ 15 m/s
 Axial movement: ± 1.0 mm

Combination of materials

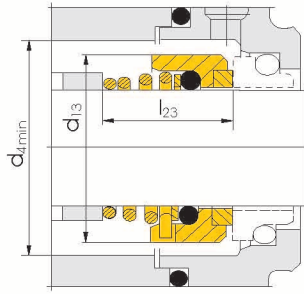
Sealing face
 Graphite, Silicon carbide, Tungsten carbide, Aluminum oxide, Stainless steel
Secondary sealing
 Acrylonitrile rubber, Fluorine rubber, Ethylene propylene rubber, PTFE
Metal component
 Stainless steel



BGM32

BGM3标准型动静环为整体式,当动环采用镶嵌石墨环时,其型式称BGM32型

The rotary and stationary of BGM3 standard type is integrated. If with inlaid graphite rotary, it is called type BGM32.



BGM37G

当动环采用镶嵌碳化物时,其型式称为 BGM37G型。

When with inlaid carhide rotary, it is called type BGM37G.

单位 (Unit): mm

d ₁	d ₃	d ₄	d ₆	d ₇	d ₈	d ₁₃	d _b	l _{1N}	l ₃	l ₅	l ₆	l ₇	l ₈	l ₉	l ₂₂	l ₂₃	b	R
6	14	18	-	-	-	16	8	-	-	-	-	-	-	-	11.9	-	-	1.2
8	18	20	-	-	-	18	11	-	-	-	-	-	-	-	16.9	-	-	1.2
10	19	22	17	21	3	20	13	40	15.5	1.5	4	8.5	17.5	10.0	16.9	-	(8)	1.2
12	21	24	19	23	3	22	16	40	16.0	1.5	4	8.5	17.5	10.0	17.4	-	(8)	1.2
14	23	26	21	25	3	24	18	40	16.5	1.5	4	8.5	17.5	10.0	17.4	16.5	(8)	1.2
15	24	28	-	-	-	25	19	-	-	-	-	-	-	-	17.4	-	-	1.2
16	26	28	23	27	3	26	21	40	18.0	1.5	4	8.5	17.5	10.0	19.5	16.5	(8)	1.5
18	29	34	27	33	3	31	23	45	19.5	2.0	5	9.0	19.5	11.5	20.5	18.0	(8)	1.5
20	31	36	29	35	3	34	26	45	22.0	2.0	5	9.0	19.5	11.5	22.0	19.0	(8)	1.5
22	33	38	31	37	3	36	28	45	21.5	2.0	5	9.0	19.5	11.5	23.5	20.5	(8)	1.5
24	35	40	33	39	3	38	30	50	23.5	2.0	5	9.0	19.5	11.5	25.0	22.0	(8)	1.5
25	36	41	34	40	3	39	31	50	26.5	2.0	5	9.0	19.5	11.5	26.5	23.5	(8)	1.5
26	37	44	-	-	-	40	32	-	-	-	-	9.0	-	-	26.5	23.5	-	1.5
28	40	44	37	43	3	42	35	50	26.5	2.0	5	9.0	19.5	11.5	26.5	24.5	(8)	1.5
30	43	46	39	45	3	44	37	50	26.5	2.0	5	9.0	19.5	11.5	25.0	24.5	(8)	1.5
32	46	48	42	48	3	46	39	55	28.5	2.0	5	9.0	19.5	11.5	28.5	28.0	(8)	1.5
33	47	49	42	48	3	47	40	55	28.5	2.0	5	9.0	19.5	11.5	-	-	(8)	1.5
35	49	51	44	50	3	49	43	55	28.5	2.0	5	9.0	19.5	11.5	28.5	28.0	(8)	1.5
38	53	58	49	56	4	54	45	55	33.5	2.0	6	9.0	22.0	14.0	32.2	31.0	7.5	1.5
40	56	60	51	58	4	56	49	55	36.0	2.0	6	9.0	22.0	14.0	34.7	34.0	(8)	1.5
42	59	63	-	-	-	58	52	-	-	-	-	9.0	-	-	37.3	35.0	-	1.5
43	59	63	54	61	4	59	52	60	38.5	2.0	6	9.0	22.0	14.0	-	-	7.5	2.5
45	61	65	56	63	4	61	55	60	39.5	2.0	6	9.0	22.0	14.0	39.2	36.5	(8)	2.5
48	64	68	59	66	4	64	58	60	46.0	2.0	6	9.0	22.0	14.0	44.7	42.0	(8)	2.5
50	66	70	62	70	4	66	61	60	45.0	2.5	6	9.0	23.0	15.0	45.7	43.0	(8)	2.5
53	69	73	65	73	4	69	64	70	47.0	2.5	6	9.0	23.0	15.0	-	-	8.0	2.5
55	71	75	67	75	4	71	66	70	49.0	2.5	6	9.0	23.0	15.0	49.0	47.0	(8)	2.5
58	76	83	70	78	4	78	69	70	55.0	2.5	6	9.0	23.0	15.0	52.0	50.0	(8)	2.5
60	78	85	72	80	4	79	71	70	55.0	2.5	6	9.0	23.0	15.0	53.0	51.0	(8)	2.5
63	83	88	75	83	4	83	74	70	55.0	2.5	6	9.0	23.0	15.0	-	-	(8)	2.5
65	84	90	77	85	4	85	77	80	55.0	2.5	6	9.0	23.0	15.0	54.3	52.0	(8)	2.5
68	88	93	81	90	4	88	80	80	55.0	2.5	7	9.0	26.0	18.0	55.3	52.7	(8)	2.5
70	90	95	83	92	4	90	83	80	57.0	2.5	7	9.0	26.0	18.0	56.3	54.0	(10)	2.5
75	98	104	88	97	4	98	88	80	62.0	2.5	7	9.0	26.0	18.0	56.3	54.0	(10)	2.5
80	100	109	95	105	4	103	93	90	61.8	3.0	7	9.0	26.2	18.2	59.3	58.0	10.0	2.5

* 配有其它非补偿环尺寸,请参照“可选非补偿环结构型式”(P52-P53页)

Please refer to the optional non-compensated ring structural specification for the details of other non compensated dimensions(P52-P53)