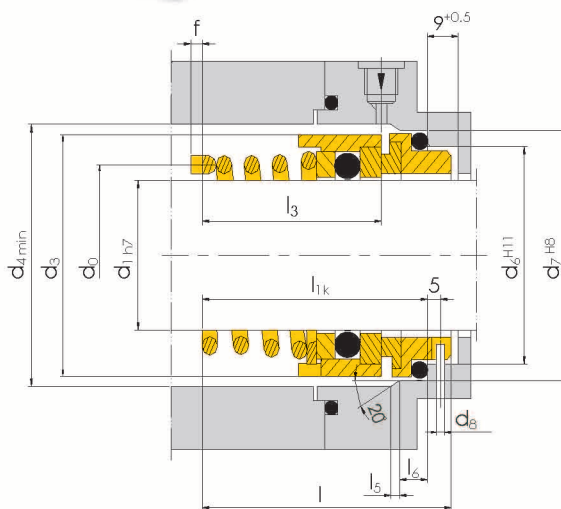


# BGM120



- ◎ 单端面
- ◎ 非平衡型
- ◎ 固定旋向
- ◎ 符合EN12756(DIN24960)标准

**BGM120**系列是从BGM3系列演化而来,依靠弹簧尾端钩钉传动,结构简单,安装方便,但使用应注意旋转方向。它常用于化工泵,污水泵和潜水泵中。

**Single seal**  
**Unbalanced**  
**Dependent on direction of rotation**  
**To EN12756 (DIN24960)**

BGM120 series is derived from BGM3 series. It is driven by hook nail on the end of the spring. It has a simple structure and is easy to install. Proper attention shall be paid on the direction of rotation while using. It is often used in chemical pumps, sewage pumps and submerged pumps.

### 运行参数

规格: 18~80 mm  
 压力: ≤1.0 Mpa  
 温度: -20~180°C  
 线速度: ≤15 m/s  
 轴向窜动量: ±1.0 mm

### Operating limits

Specification: 18~80 mm  
 Pressure: ≤1.0 Mpa  
 Temperature: -20~180°C  
 Linear speed: ≤15 m/s  
 Axial movement: ±1.0 mm

### 材料组合

密封端面:  
 石墨、碳化硅、碳化钨、氧化铝  
 辅助密封:  
 丁腈胶、氟橡胶、乙丙胶、PTFE  
 金属构件:  
 不锈钢

### Combination of materials

**Sealing face**  
 Graphite, Silicon carbide, Tungsten carbide, Aluminum oxide  
**Secondary sealing**  
 Acrylonitrile rubber, Fluorine rubber, Ethylene propylene rubber, PTFE  
**Metal component**  
 Stainless steel

单位 (Unit): mm

d <sub>1</sub>	d <sub>0</sub>	d <sub>3</sub>	d <sub>4</sub>	d <sub>6</sub>	d <sub>7</sub>	d <sub>8</sub>	l	l <sub>1k</sub>	l <sub>3</sub>	l <sub>5</sub>	l <sub>6</sub>	f
18	21	32	34	27	33	3	43	36	26	2.0	5	3.5
20	23	34	36	29	35	3	43.5	36.5	26.5	2.0	5	3.5
25	28	39	41	34	40	3	47	40	29.5	2.0	5	3.5
28	31	42	44	37	43	3	47	40	28.5	2.0	5	3.5
30	33	44	46	39	45	3	50	43	31.5	2.0	5	3.5
35	39	49	51	44	50	3	53	46	34.5	2.0	5	3.5
40	44	56	60	51	58	4	57	50	37	2.0	6	3.5
45	50	61	65	56	63	4	61	54	41	2.0	6	3.5
50	55	66	70	62	70	4	62	55	41	2.5	6	3.5
55	60	71	75	67	75	4	64	57	43	2.5	6	3.5
60	65	80	85	72	80	4	65	58	44	2.5	6	4
65	71	85	90	77	85	4	67	60	46	2.5	6	4
70	76	90	95	83	92	4	70	63	46.5	2.5	7	4
75	81	99	104	88	97	4	72	65	48.5	2.5	7	5.5
80	87	104	109	95	105	4	72	65	48.5	3.0	7	5.5

\* 配有其它非补偿环尺寸,请参照“可选非补偿环结构型式”(P52-P53页)

Please refer to the optional non-compensated ring structural specification for the details of other non compensated dimensions(P52-P53)