

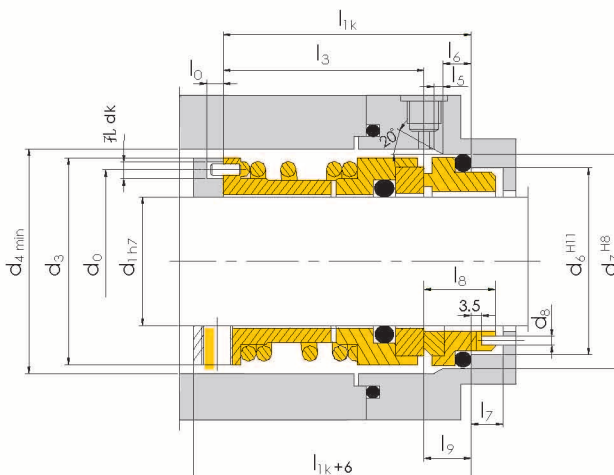
BGM113

- ◎ 单端面
- ◎ 非平衡型
- ◎ 任意旋向

BGM113系列密封适用于一般腐蚀性的化工泵、污水泵、工业泵等。动环采用叉销或紧定螺钉两种形式，传动可靠，轴向尺寸较短，安装方便，通用互换性强，尤适宜于粘性的介质中。

Single seal
Unbalanced
Independent of direction of rotation

BGM113 seal series is mainly used in chemical pumps, sewage pumps, industrial pumps, etc. for normal corrosive medium. Its rotating seal uses pin or holding screw to achieve reliable drive. Its axial size is small and has a high interchangeability. It is suitable for viscous medium.



运行参数

规格: 20~65 mm
 压力: ≤1.2 Mpa
 温度: -20~180°C
 线速度: ≤15 m/s
 轴向窜动量: ±0.5 mm

Operating limits

Specification: 20~65 mm
 Pressure: ≤1.2 Mpa
 Temperature: -20~180°C
 Linear speed: ≤15 m/s
 Axial movement: ±0.5 mm

材料组合

密封端面:
 石墨、碳化硅、碳化钨、氧化铝
 辅助密封:
 丁腈胶、氟橡胶、乙丙胶、PTFE
 金属构件:
 不锈钢

Combination of materials

Sealing face
 Graphite, Silicon carbide, Tungsten carbide, Aluminum oxide
Secondary sealing
 Acrylonitrile rubber, Fluorine rubber, Ethylene propylene rubber, PTFE
Metal component
 Stainless steel

单位 (Unit): mm

d ₁	d ₃	d ₄	d ₆	d ₇	d ₈	d ₀	d _k	l _{1k}	l ₀	l ₃	l ₅	l ₆	l ₈	l ₉
20	34	36	29	35	3	27	3.5	33	5	23	2.0	5	17	10
25	39	41	34	40	3	32	3.5	35	5	24.5	2.0	5	17.5	10.5
30	44	46	39	45	3	37	4.5	39	5	27.5	2.0	5	18.5	11.5
35	49	51	44	50	3	42	4.5	39	5	27.5	2.0	5	18.5	11.5
40	56	60	51	58	4	48	4.5	44	5	31	2.0	6	20	13
45	61	65	56	63	4	53	5	44	6	31	2.0	6	20	13
50	66	70	62	70	4	58	5	49	6	35	2.5	6	21	14
55	71	75	67	75	4	63	5	49	6	35	2.5	6	21	14
60	79	85	72	80	4	69	5	56.5	6	40	2.5	6	23.5	16.5
65	84	90	77	85	4	74	5	56.5	6	40	2.5	6	23.5	16.5

* 配有其它非补偿环尺寸,请参照“可选非补偿环结构型式”(P52-P53页)

Please refer to the optional non-compensated ring structural specification for the details of other non compensated dimensions(P52-P53)